

Simplitz® Street Light Datasheet



Simplitz® Street Light, a versatile and powerful outdoor luminaire for street lighting applications. This highly efficient product family provides Smart City compatibility and elegant identity for modern cities, with lower total cost of ownership and quick payback on investment. With high efficacy, high reliability, low maintenance and excellent optic performance, it brings safety and well-being for various road illuminations. Simplitz® Street Light is an ideal solution for residential paths, collection roads and multi-lane highways.

Benefits

Smart City compatibility

- Smart City connectivity with NEMA socket
- 1-10V/Step/DALI dimming versions available
- Compatible with SpaceWing™ street light control system

Comprehensive product range for various applications

- Power range from 30W to 270W
- Choices of CCT 3000K/4000K
- PC lens version (standard) and glass cover version (optional) available

Highly reliable and durable

- Long lifetime 50,000 hours @35°C, L70
- Robust die-cast housing
- IP66 and IK09
- Operating temperature: –30°C to +55°C

User-friendly installation and maintenance

- Tool-free luminaire opening and wiring
- 0-15° tilt angle adjustable
- Separate spigot enables side-entry and post-top installations
- Replaceable LED module and driver

Applications

- Street light illuminations
- Residential paths
- Parking lots
- Industrial roads

Simplitz® Street Light

Technical Data

Optical Specifications

		Micro		Mini	Midi	Maxi				
Luminous Flux	4000K	30W	60W	90W	120W	150W	180W	210W	240W	270W
		4200 lm	8400 lm	12600 lm	16800 lm	21000 lm	25200 lm	29400 lm	33600 lm	37800 lm
Efficacy	4000K	140 lm/W								
CCT	3000K, 4000K									
CRI (Ra)	>70									
SDCM	5									
Beam Angle	155° x 60°				151° x 68°					

Electrical and Mechanical Specifications

Input Voltage	220-240V AC 50/60Hz									
Power Consumption	30W	60W	90W	120W	150W	180W	210W	240W	270W	
Power Factor	>0.95									
Total Harmonic Distortion	≤20%									
Surge Protection	Line-to-line 5KV, line-to-ground 10KV									
Dimensions	Length	534mm		600mm	732mm	867mm				
	Width	300mm		300mm	300mm	330mm				
	Height	108mm		108mm	108mm	108mm				
Weight	4.5kg	4.7kg	5.3kg	6.2kg	6.2kg	8.2kg	8.2kg	8.3kg	8.5kg	
Cover Lens	PC lens, Glass cover*									
Housing	Die-casting aluminum, RAL9006									

System Specifications

Power	AC line
Dimmable	Step/1-10V dimming, PWM, and DALI*
Mounting Type	Side-entry or Post-top mounting
Operating Temperature	-30°C to +55°C
Storage Temperature	-40°C to +80°C
Environment	Outdoor (IP66, IK09)
Lumen Maintenance	L70 @35°C - 50,000hrs
Safety Approval	Electrical Protection Class I, CB, CE, CQC

Items with * are non-standard items and are available on request.

Due to the special conditions of manufacturing process of LED, the typical data of technical parameters can only reflect statistical figures and do not necessarily correspond to the actual parameters of each single product which could differ from typical data.

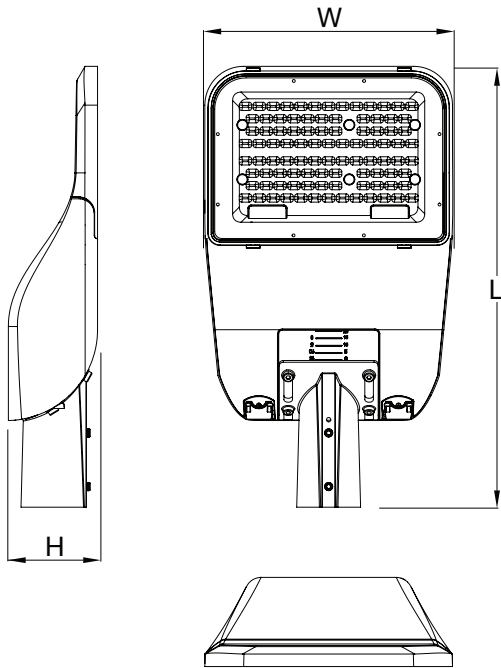
Exceeding maximum ratings for operation voltage will cause hazardous overload and will likely destroy the LED module.

Exceeding maximum ratings for operation and storage temperature will reduce expected life time or destroy the LED module.

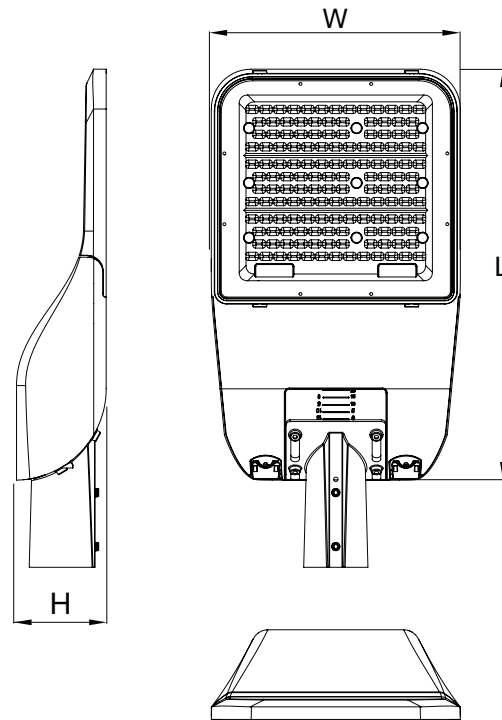
Simplitz® Street Light

Dimensions

Micro



Mini



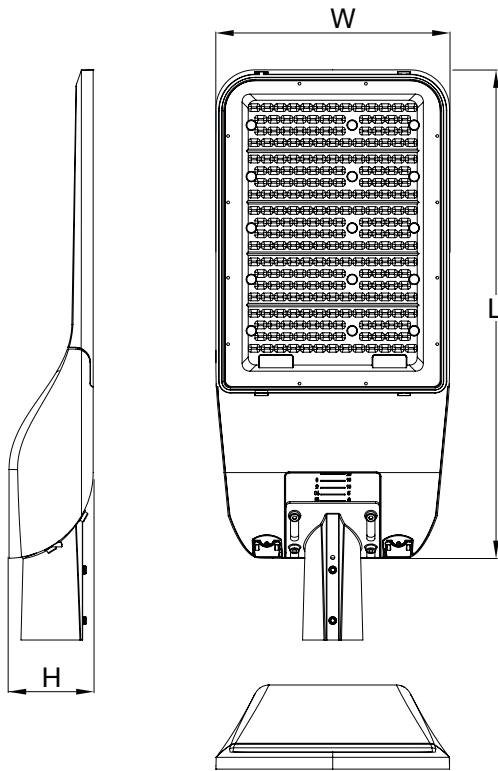
Dimensions

	Micro	Mini
L	534mm	600mm
W	300mm	300mm
H	108mm	108mm

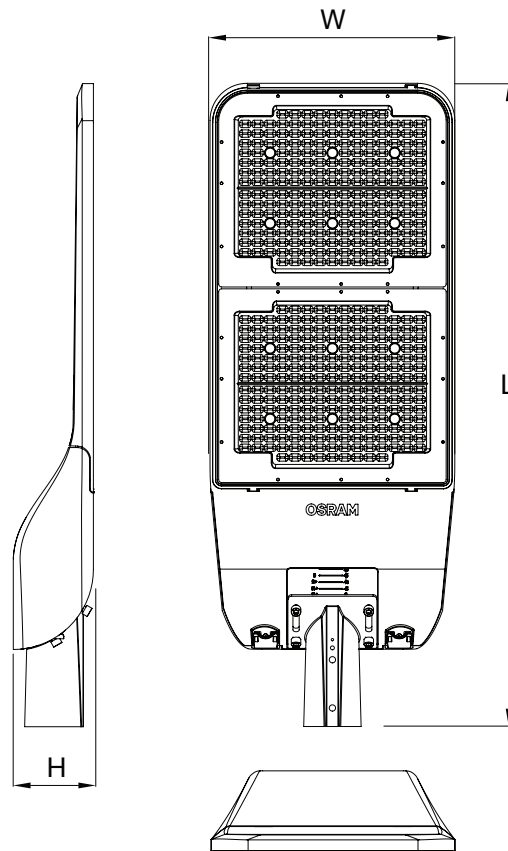
Simplitz® Street Light

Dimensions

Midi



Maxi



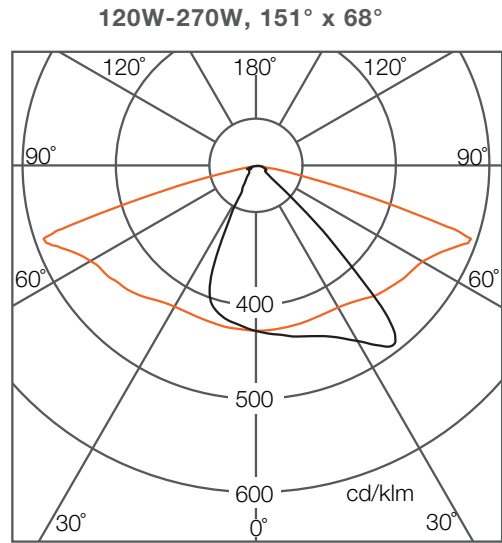
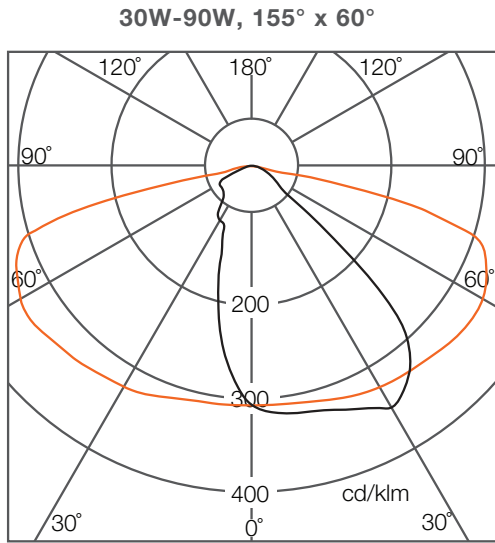
Dimensions

	Midi	Maxi
L	732mm	867mm
W	300mm	330mm
H	108mm	108mm

Simplitz® Street Light

Photometrics

Light Distribution Curve



Due to the manufacturing processes of LED, the polar candela distribution and distance luminaries only reflect statistical figures and do not necessarily correspond to the actual parameters of individual product that may differ from the typical values.

Simplitz® Street Light

Ordering Codes

Fixture

Short Text	Power	CCT	Beam Angle	Material	EAN40
SIM ST 30W 730 155X60D VS2 OSRAM	30W	3000K	155° x 60°	AM167540055	4052899588165
SIM ST 30W 740 155X60D VS2 OSRAM	30W	4000K	155° x 60°	AM167550055	4052899588172
SIM ST 60W 730 155X60D VS2 OSRAM	60W	3000K	155° x 60°	AM167560055	4052899588189
SIM ST 60W 740 155X60D VS2 OSRAM	60W	4000K	155° x 60°	AM167570055	4052899588196
SIM ST 90W 730 155X60D VS2 OSRAM	90W	3000K	155° x 60°	AM167580055	4052899588202
SIM ST 90W 740 155X60D VS2 OSRAM	90W	4000K	155° x 60°	AM167590055	4052899588219
SIM ST 120W 730 151X68D VS1 OSRAM	120W	3000K	151° x 68°	AM167600055	4052899591080
SIM ST 120W 740 151X68D VS1 OSRAM	120W	4000K	151° x 68°	AM167610055	4052899591097
SIM ST 150W 730 151X68D VS1 OSRAM	150W	3000K	151° x 68°	AM167620055	4052899588240
SIM ST 150W 740 151X68D VS1 OSRAM	150W	4000K	151° x 68°	AM167630055	4052899588257
SIM ST 180W 730 151X68D VS1 OSRAM	180W	3000K	151° x 68°	AM167640055	4052899588264
SIM ST 180W 740 151X68D VS1 OSRAM	180W	4000K	151° x 68°	AM167650055	4052899588271
SIM ST 210W 730 151X68D VS1 OSRAM	210W	3000K	151° x 68°	AM167660055	4052899588288
SIM ST 210W 740 151X68D VS1 OSRAM	210W	4000K	151° x 68°	AM167670055	4052899588295
SIM ST 240W 730 151X68D VS1 OSRAM	240W	3000K	151° x 68°	AM167680055	4052899588301
SIM ST 240W 740 151X68D VS1 OSRAM	240W	4000K	151° x 68°	AM167690055	4052899588318
SIM ST 270W 730 151X68D VS1 OSRAM	270W	3000K	151° x 68°	AM167700055	4052899588325
SIM ST 270W 740 151X68D VS1 OSRAM	270W	4000K	151° x 68°	AM167710055	4052899588332