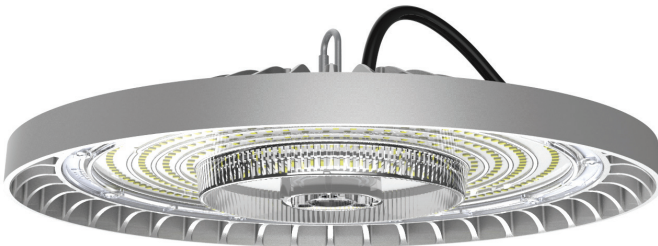


# LED COMFO® Highbay V2

## Datasheet



IP65

LED COMFO® Highbay V2 series is highly efficient and reliable LED highbay luminaries that can be used in dusty and humid environment. The well-designed die-casting aluminum heat sink with high-efficiency lens achieve a perfect balance between convenience and practicality. LED COMFO® Highbay V2 series can replace the traditional HID highbay directly and provide the best solution for high ceiling industrial lighting and commercial lighting.

### Benefits

- One-to-one replacement of traditional HID highbay
- 50% energy saving
- Maintain desired illumination throughout lifecycle
- Easy transportation and installation. Low maintenance cost

### Safe and reliable

- Compact and light weight
- IP65, IK08
- 30,000hrs lifetime

### Visual comfort

- CRI > 80
- Optional reflector for better glare control

### Applications

- Workshops, assembly lines
- Warehouses, logistics
- Public areas (airports, stations, stadiums)

---

# LED COMFO® Highbay V2

## Technical Data

---

### Optical Specifications

		70W	130W	200W
<b>Luminous Flux</b>	4000K	7,700 lm	14,300 lm	22,000 lm
	5700K	7,829 lm	14,539 lm	22,367 lm
<b>Efficacy</b>	4000K	110 lm/W		
	5700K	112 lm/W		
<b>CCT</b>		4000K, 5700K		
<b>CRI</b>		>80		
<b>SDCM</b>		5		
<b>Beam Angle</b>		105°		

---

### Electrical and Mechanical Specifications

<b>Input Voltage</b>	220-240VAC 50/60Hz		
<b>Power Consumption</b>	70W	130W	200W
<b>Power Factor</b>	0.95		
<b>Total Harmonic Distortion</b>	<10%		
<b>Surge Protection</b>	L/N-G 2KV		
<b>Dimensions (height)</b>	50mm	52mm	56mm
	<b>(diameter)</b>	245mm	300mm
<b>Weight</b>	1.0kg	1.6kg	2.3kg
<b>Cover Lens</b>	Clear PC cover		
<b>Housing</b>	Die-casting aluminum housing		

---

### System Specifications

<b>Power</b>	AC line
<b>Control</b>	ON/OFF
<b>Installation</b>	Chain/pole mounting
<b>Operating Temperature</b>	-20°C to +40°C
<b>Storage Temperature</b>	-40°C to +80°C
<b>Environment</b>	Indoor (IP65, IK08)
<b>Lumen Maintenance</b>	L70@35°C - 30,000hrs
<b>Safety Approval</b>	Electrical Protection Class I, CB, CCC

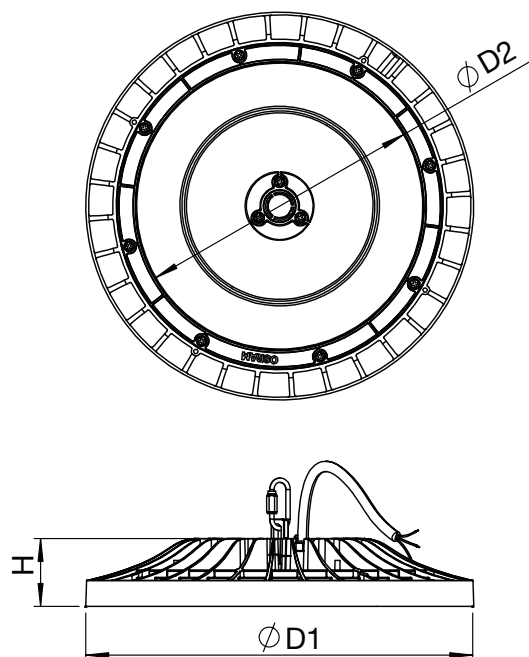
Due to the special conditions of manufacturing process of LED, the typical data of technical parameters can only reflect statistical figures and do not necessarily correspond to the actual parameters of each single product which could differ from typical data.

Exceeding maximum ratings for operation voltage will cause hazardous overload and will likely destroy the LED module.

Exceeding maximum ratings for operation and storage temperature will reduce expected life time or destroy the LED module.

## LED COMFO® Highbay V2

### Dimensions



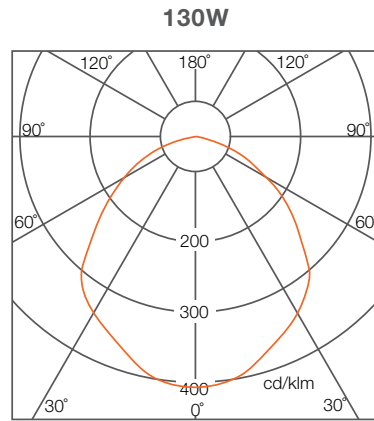
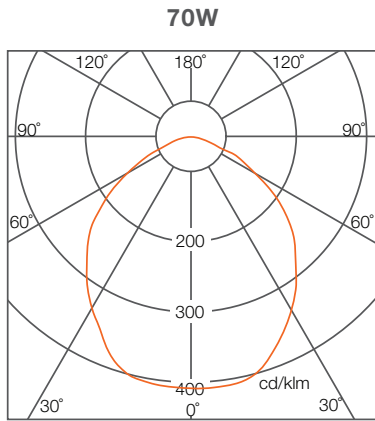
### Dimensions

	70W	130W	200W
H	50mm	52mm	56mm
$\phi D1$	245mm	300mm	350mm
$\phi D2$	167mm	222mm	263mm

# LED COMFO® Highbay V2

## Photometrics

### Light Distribution Curve



### Illuminance at a distance

	Center Beam Lux/klm	Beam Width H
0.5m	1673	1.23m
1.0m	418	2.46m
1.5m	186	3.69m
2.0m	105	4.92m
2.5m	67	6.15m
3.0m	46	7.38m

For feet multiply by 3.28

● Horiz. Spread: 101.4°  
For fc divide by 10.7

	Center Beam Lux/klm	Beam Width H
0.5m	1642	1.23m
1.0m	410	2.46m
1.5m	182	3.69m
2.0m	103	4.92m
2.5m	66	6.15m
3.0m	46	7.38m

For feet multiply by 3.28

● Horiz. Spread: 101.4°  
For fc divide by 10.7

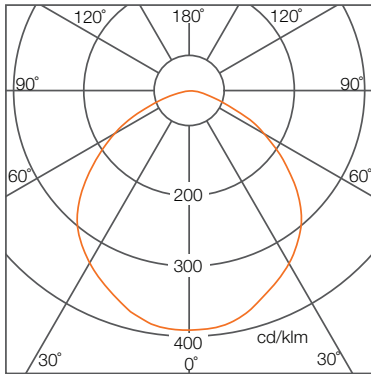
Due to the manufacturing processes of LED, the polar candela distribution and distance luminaries only reflect statistical figures and do not necessarily correspond to the actual parameters of individual product that may differ from the typical values.

# LED COMFO® Highbay V2

## Photometrics

### Light Distribution Curve

200W



### Illuminance at a distance

	Center Beam Lux/klm	Beam Width H
0.5m	1566	1.33m
1.0m	391	2.66m
1.5m	174	4.00m
2.0m	98	5.33m
2.5m	63	6.66m
3.0m	43	7.99m

For feet multiply by 3.28

● Horiz. Spread: 106.2°  
For fc divide by 10.7

Due to the manufacturing processes of LED, the polar candela distribution and distance luminaries only reflect statistical figures and do not necessarily correspond to the actual parameters of individual product that may differ from the typical values.

---

## LED COMFO® Highbay V2

### Ordering Codes

---

#### Fixture

Short Text	Power	CCT	Material	EAN10	EAN40
LCM HB 70W 840 110D GY V2 2X1 OSRAM	70W	4000K	AM256120055	4052899605749	4062172032438
LCM HB 70W 857 110D GY V2 2X1 OSRAM	70W	5700K	AM256130055	4052899605756	4062172032445
LCM HB 130W 840 110D GY V2 2X1 OSRAM	130W	4000K	AM256140055	4052899605701	4062172032452
LCM HB 130W 857 110D GY V2 2X1 OSRAM	130W	5700K	AM256150055	4052899605718	4062172032469
LCM HB 200W 840 110D GY V2 2X1 OSRAM	200W	4000K	AM256160055	4052899605725	4062172032476
LCM HB 200W 857 110D GY V2 2X1 OSRAM	200W	5700K	AM256170055	4052899605732	4062172032483