

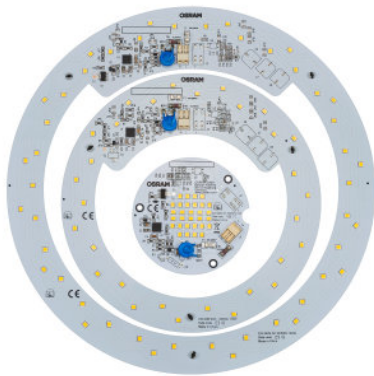
Product family datasheet

OSRAM**BASIC Flat AC G2**

Spot-, Down- and Wallmount Light Engines and Modules

Areas of application

- Offices, corridors and residential interiors



Product family benefits

- Dimmable (with suitable Phase-cut and 1...10 V dimming methods)
- AC direct input, exempt from external driver solution
- Optimized LED layout to deliver uniform light output

Product family features

- Consistent white light: < 4 SDCM
- Color rendering index: > 80
- Available with color temperature (CCT): 3,000 K, 4,000 K, 6,500 K
- Module efficacy: up to 113 lm/W
- Input voltage: 220...240 V_{AC}, 50 | 60 Hz



Product family datasheet

Technical data

Electrical data

| Product description | Nominal wattage | Rated wattage | Nominal voltage | Type of current |
|--------------------------------|-----------------|---------------|-----------------|-----------------|
| BASIC-FLAT AC-G2 1600-830-C-PC | 14.50 W | 14.50 W | 220...240 V | DC |
| BASIC-FLAT AC-G2 1600-840-C-PC | 14.50 W | 14.50 W | 220...240 V | DC |
| BASIC-FLAT AC-G2 1600-865-C-PC | 14.50 W | 14.50 W | 220...240 V | DC |
| BASIC-FLAT AC-G2 1600-830-C-AG | 14.50 W | 14.50 W | 220...240 V | DC |
| BASIC-FLAT AC-G2 1600-840-C-AG | 14.50 W | 14.50 W | 220...240 V | DC |
| BASIC-FLAT AC-G2 1600-865-C-AG | 14.50 W | 14.50 W | 220...240 V | DC |
| BASIC-FLAT AC-G2 1300-830-R-PC | 11.50 W | 11.50 W | 220...240 V | DC |
| BASIC-FLAT AC-G2 1300-840-R-PC | 11.50 W | 11.50 W | 220...240 V | DC |
| BASIC-FLAT AC-G2 1300-865-R-PC | 11.50 W | 11.50 W | 220...240 V | DC |
| BASIC-FLAT AC-G2 1300-830-R-AG | 11.50 W | 11.50 W | 220...240 V | DC |
| BASIC-FLAT AC-G2 1300-840-R-AG | 11.50 W | 11.50 W | 220...240 V | DC |
| BASIC-FLAT AC-G2 1300-865-R-AG | 11.50 W | 11.50 W | 220...240 V | DC |
| BASIC-FLAT AC-G2 2200-830-R-PC | 19.50 W | 19.50 W | 220...240 V | DC |
| BASIC-FLAT AC-G2 2200-840-R-PC | 19.50 W | 19.50 W | 220...240 V | DC |
| BASIC-FLAT AC-G2 2200-865-R-PC | 19.50 W | 19.50 W | 220...240 V | DC |
| BASIC-FLAT AC-G2 2200-830-R-AG | 19.50 W | 19.50 W | 220...240 V | DC |
| BASIC-FLAT AC-G2 2200-840-R-AG | 19.50 W | 19.50 W | 220...240 V | DC |
| BASIC-FLAT AC-G2 2200-865-R-AG | 19.50 W | 19.50 W | 220...240 V | DC |

Photometrical data

| Product description | Luminous efficacy |
|--------------------------------|-------------------|
| BASIC-FLAT AC-G2 1600-830-C-PC | 103 lm/W |
| BASIC-FLAT AC-G2 1600-840-C-PC | 110 lm/W |
| BASIC-FLAT AC-G2 1600-865-C-PC | 110 lm/W |
| BASIC-FLAT AC-G2 1600-830-C-AG | 103 lm/W |
| BASIC-FLAT AC-G2 1600-840-C-AG | 110 lm/W |

Product family datasheet

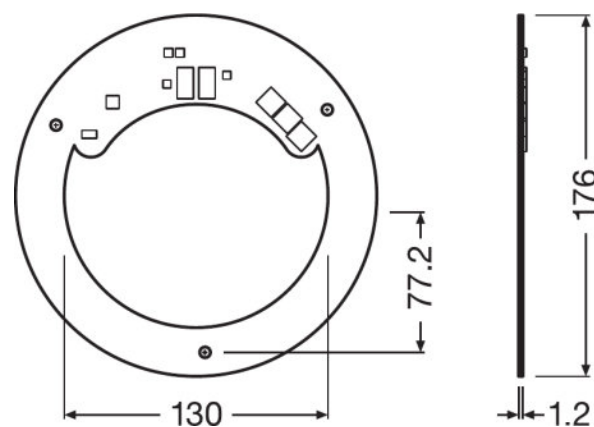
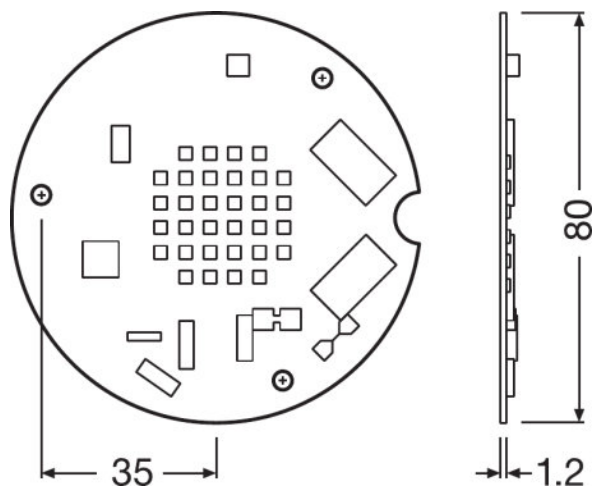
| Product description | Luminous efficacy |
|--------------------------------|-------------------|
| BASIC-FLAT AC-G2 1600-865-C-AG | 110 lm/W |
| BASIC-FLAT AC-G2 1300-830-R-PC | 104 lm/W |
| BASIC-FLAT AC-G2 1300-840-R-PC | 113 lm/W |
| BASIC-FLAT AC-G2 1300-865-R-PC | 113 lm/W |
| BASIC-FLAT AC-G2 1300-830-R-AG | 104 lm/W |
| BASIC-FLAT AC-G2 1300-840-R-AG | 113 lm/W |
| BASIC-FLAT AC-G2 1300-865-R-AG | 113 lm/W |
| BASIC-FLAT AC-G2 2200-830-R-PC | 105 lm/W |
| BASIC-FLAT AC-G2 2200-840-R-PC | 110 lm/W |
| BASIC-FLAT AC-G2 2200-865-R-PC | 110 lm/W |
| BASIC-FLAT AC-G2 2200-830-R-AG | 105 lm/W |
| BASIC-FLAT AC-G2 2200-840-R-AG | 110 lm/W |
| BASIC-FLAT AC-G2 2200-865-R-AG | 110 lm/W |

Dimensions & weight

| Product description | Rated height | Product weight |
|--------------------------------|--------------|----------------|
| BASIC-FLAT AC-G2 1600-830-C-PC | 7.00 mm | 19.50 g |
| BASIC-FLAT AC-G2 1600-840-C-PC | 7.00 mm | 19.50 g |
| BASIC-FLAT AC-G2 1600-865-C-PC | 7.00 mm | 19.50 g |
| BASIC-FLAT AC-G2 1600-830-C-AG | 7.00 mm | 19.50 g |
| BASIC-FLAT AC-G2 1600-840-C-AG | 7.00 mm | 19.50 g |
| BASIC-FLAT AC-G2 1600-865-C-AG | 7.00 mm | 19.50 g |
| BASIC-FLAT AC-G2 1300-830-R-PC | 7.00 mm | 48.00 g |
| BASIC-FLAT AC-G2 1300-840-R-PC | 7.00 mm | 48.00 g |
| BASIC-FLAT AC-G2 1300-865-R-PC | 7.00 mm | 48.00 g |
| BASIC-FLAT AC-G2 1300-830-R-AG | 7.00 mm | 48.00 g |
| BASIC-FLAT AC-G2 1300-840-R-AG | 7.00 mm | 48.00 g |
| BASIC-FLAT AC-G2 1300-865-R-AG | 7.00 mm | 48.00 g |
| BASIC-FLAT AC-G2 2200-830-R-PC | 7.00 mm | 70.00 g |
| BASIC-FLAT AC-G2 2200-840-R-PC | 7.00 mm | 70.00 g |
| BASIC-FLAT AC-G2 2200-865-R-PC | 7.00 mm | 70.00 g |
| BASIC-FLAT AC-G2 2200-830-R-AG | 7.00 mm | 70.00 g |
| BASIC-FLAT AC-G2 2200-840-R-AG | 7.00 mm | 70.00 g |
| BASIC-FLAT AC-G2 2200-865-R-AG | 7.00 mm | 70.00 g |

Product family datasheet

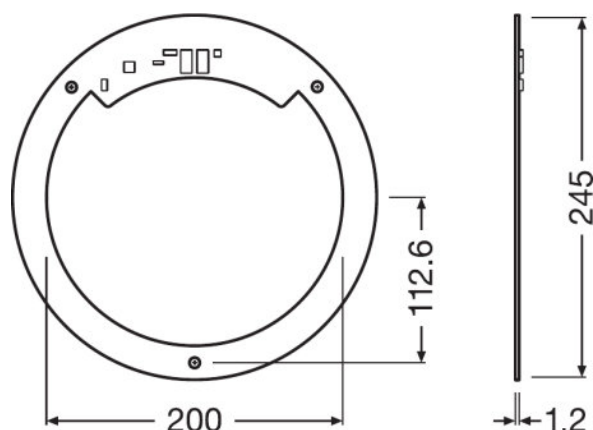
Product line drawing



BASIC-FLAT AC-G2 1600-830-C-PC, BASIC-FLAT AC-G2 1600-840-C-PC, BASIC-FLAT AC-G2 1600-865-C-PC, BASIC-FLAT AC-G2 1600-830-C-AG, BASIC-FLAT AC-G2 1600-840-C-AG, BASIC-FLAT AC-G2 1600-865-C-AG

BASIC-FLAT AC-G2 1300-830-R-PC, BASIC-FLAT AC-G2 1300-840-R-PC, BASIC-FLAT AC-G2 1300-865-R-PC, BASIC-FLAT AC-G2 1300-830-R-AG, BASIC-FLAT AC-G2 1300-840-R-AG, BASIC-FLAT AC-G2 1300-865-R-AG

Product family datasheet



BASIC-FLAT AC-G2 2200-830-R-PC, BASIC-FLAT AC-G2 2200-840-R-PC, BASIC-FLAT AC-G2 2200-865-R-PC, BASIC-FLAT AC-G2 2200-830-R-AG, BASIC-FLAT AC-G2 2200-840-R-AG, BASIC-FLAT AC-G2 2200-865-R-AG

Temperatures & operating conditions

| Product description | Maximum temperature at tc test point | Ambient temperature range | Temperature range at storage |
|--------------------------------|--------------------------------------|---------------------------|------------------------------|
| BASIC-FLAT AC-G2 1600-830-C-PC | 85 °C | -20...+40 °C | -20...85 °C |
| BASIC-FLAT AC-G2 1600-840-C-PC | 85 °C | -20...+40 °C | -20...85 °C |
| BASIC-FLAT AC-G2 1600-865-C-PC | 85 °C | -20...+40 °C | -20...85 °C |
| BASIC-FLAT AC-G2 1600-830-C-AG | 85 °C | -20...+40 °C | -20...85 °C |
| BASIC-FLAT AC-G2 1600-840-C-AG | 85 °C | -20...+40 °C | -20...85 °C |
| BASIC-FLAT AC-G2 1600-865-C-AG | 85 °C | -20...+40 °C | -20...85 °C |
| BASIC-FLAT AC-G2 1300-830-R-PC | 85 °C | -20...+40 °C | -20...85 °C |
| BASIC-FLAT AC-G2 1300-840-R-PC | 85 °C | -20...+40 °C | -20...85 °C |
| BASIC-FLAT AC-G2 1300-865-R-PC | 85 °C | -20...+40 °C | -20...85 °C |
| BASIC-FLAT AC-G2 1300-830-R-AG | 85 °C | -20...+40 °C | -20...85 °C |
| BASIC-FLAT AC-G2 1300-840-R-AG | 85 °C | -20...+40 °C | -20...85 °C |
| BASIC-FLAT AC-G2 1300-865-R-AG | 85 °C | -20...+40 °C | -20...85 °C |
| BASIC-FLAT AC-G2 2200-830-R-PC | 85 °C | -20...+40 °C | -20...85 °C |
| BASIC-FLAT AC-G2 2200-840-R-PC | 85 °C | -20...+40 °C | -20...85 °C |
| BASIC-FLAT AC-G2 2200-865-R-PC | 85 °C | -20...+40 °C | -20...85 °C |
| BASIC-FLAT AC-G2 2200-830-R-AG | 85 °C | -20...+40 °C | -20...85 °C |
| BASIC-FLAT AC-G2 2200-840-R-AG | 85 °C | -20...+40 °C | -20...85 °C |
| BASIC-FLAT AC-G2 2200-865-R-AG | 85 °C | -20...+40 °C | -20...85 °C |

Product family datasheet

Lifespan

| Product description | Lifespan | Rated lamp life time |
|--------------------------------|----------|----------------------|
| BASIC-FLAT AC-G2 1600-830-C-PC | 35000 h | 35000 h |
| BASIC-FLAT AC-G2 1600-840-C-PC | 35000 h | 35000 h |
| BASIC-FLAT AC-G2 1600-865-C-PC | 35000 h | 35000 h |
| BASIC-FLAT AC-G2 1600-830-C-AG | 35000 h | 35000 h |
| BASIC-FLAT AC-G2 1600-840-C-AG | 35000 h | 35000 h |
| BASIC-FLAT AC-G2 1600-865-C-AG | 35000 h | 35000 h |
| BASIC-FLAT AC-G2 1300-830-R-PC | 35000 h | 35000 h |
| BASIC-FLAT AC-G2 1300-840-R-PC | 35000 h | 35000 h |
| BASIC-FLAT AC-G2 1300-865-R-PC | 35000 h | 35000 h |
| BASIC-FLAT AC-G2 1300-830-R-AG | 35000 h | 35000 h |
| BASIC-FLAT AC-G2 1300-840-R-AG | 35000 h | 35000 h |
| BASIC-FLAT AC-G2 1300-865-R-AG | 35000 h | 35000 h |
| BASIC-FLAT AC-G2 2200-830-R-PC | 35000 h | 35000 h |
| BASIC-FLAT AC-G2 2200-840-R-PC | 35000 h | 35000 h |
| BASIC-FLAT AC-G2 2200-865-R-PC | 35000 h | 35000 h |
| BASIC-FLAT AC-G2 2200-830-R-AG | 35000 h | 35000 h |
| BASIC-FLAT AC-G2 2200-840-R-AG | 35000 h | 35000 h |
| BASIC-FLAT AC-G2 2200-865-R-AG | 35000 h | 35000 h |

Capabilities

| Product description | Dimmable |
|--------------------------------|----------|
| BASIC-FLAT AC-G2 1600-830-C-PC | Yes |
| BASIC-FLAT AC-G2 1600-840-C-PC | Yes |
| BASIC-FLAT AC-G2 1600-865-C-PC | Yes |
| BASIC-FLAT AC-G2 1600-830-C-AG | Yes |
| BASIC-FLAT AC-G2 1600-840-C-AG | Yes |
| BASIC-FLAT AC-G2 1600-865-C-AG | Yes |
| BASIC-FLAT AC-G2 1300-830-R-PC | Yes |
| BASIC-FLAT AC-G2 1300-840-R-PC | Yes |
| BASIC-FLAT AC-G2 1300-865-R-PC | Yes |
| BASIC-FLAT AC-G2 1300-830-R-AG | Yes |
| BASIC-FLAT AC-G2 1300-840-R-AG | Yes |
| BASIC-FLAT AC-G2 1300-865-R-AG | Yes |
| BASIC-FLAT AC-G2 2200-830-R-PC | Yes |
| BASIC-FLAT AC-G2 2200-840-R-PC | Yes |
| BASIC-FLAT AC-G2 2200-865-R-PC | Yes |
| BASIC-FLAT AC-G2 2200-830-R-AG | Yes |
| BASIC-FLAT AC-G2 2200-840-R-AG | Yes |
| BASIC-FLAT AC-G2 2200-865-R-AG | Yes |

Certificates & standards

Product family datasheet

| Product description | Standards |
|--------------------------------|--|
| BASIC-FLAT AC-G2 1600-830-C-PC | Acc. to IEC 62471/Acc. to EN 62031/Acc. to IEC 62031/Acc. to EN 55015/Acc. to EN 61547/CE/ROHS |
| BASIC-FLAT AC-G2 1600-840-C-PC | Acc. to IEC 62471/Acc. to EN 62031/Acc. to IEC 62031/Acc. to EN 55015/Acc. to EN 61547/CE/ROHS |
| BASIC-FLAT AC-G2 1600-865-C-PC | Acc. to IEC 62471/Acc. to EN 62031/Acc. to IEC 62031/Acc. to EN 55015/Acc. to EN 61547/CE/ROHS |
| BASIC-FLAT AC-G2 1600-830-C-AG | Acc. to IEC 62471/Acc. to EN 62031/Acc. to IEC 62031/Acc. to EN 55015/Acc. to EN 61547/CE/ROHS |
| BASIC-FLAT AC-G2 1600-840-C-AG | Acc. to IEC 62471/Acc. to EN 62031/Acc. to IEC 62031/Acc. to EN 55015/Acc. to EN 61547/CE/ROHS |
| BASIC-FLAT AC-G2 1600-865-C-AG | Acc. to IEC 62471/Acc. to EN 62031/Acc. to IEC 62031/Acc. to EN 55015/Acc. to EN 61547/CE/ROHS |
| BASIC-FLAT AC-G2 1300-830-R-PC | Acc. to IEC 62471/Acc. to EN 62031/Acc. to IEC 62031/Acc. to EN 55015/Acc. to EN 61547/CE/ROHS |
| BASIC-FLAT AC-G2 1300-840-R-PC | Acc. to IEC 62471/Acc. to EN 62031/Acc. to IEC 62031/Acc. to EN 55015/Acc. to EN 61547/CE/ROHS |
| BASIC-FLAT AC-G2 1300-865-R-PC | Acc. to IEC 62471/Acc. to EN 62031/Acc. to IEC 62031/Acc. to EN 55015/Acc. to EN 61547/CE/ROHS |
| BASIC-FLAT AC-G2 1300-830-R-AG | Acc. to IEC 62471/Acc. to EN 62031/Acc. to IEC 62031/Acc. to EN 55015/Acc. to EN 61547/CE/ROHS |
| BASIC-FLAT AC-G2 1300-840-R-AG | Acc. to IEC 62471/Acc. to EN 62031/Acc. to IEC 62031/Acc. to EN 55015/Acc. to EN 61547/CE/ROHS |

Product family datasheet

| Product description | Standards |
|--------------------------------|--|
| BASIC-FLAT AC-G2 1300-865-R-AG | Acc. to IEC 62471/Acc. to EN 62031/Acc. to IEC 62031/Acc. to EN 55015/Acc. to EN 61547/CE/ROHS |
| BASIC-FLAT AC-G2 2200-830-R-PC | Acc. to IEC 62471/Acc. to EN 62031/Acc. to IEC 62031/Acc. to EN 55015/Acc. to EN 61547/CE/ROHS |
| BASIC-FLAT AC-G2 2200-840-R-PC | Acc. to IEC 62471/Acc. to EN 62031/Acc. to IEC 62031/Acc. to EN 55015/Acc. to EN 61547/CE/ROHS |
| BASIC-FLAT AC-G2 2200-865-R-PC | Acc. to IEC 62471/Acc. to EN 62031/Acc. to IEC 62031/Acc. to EN 55015/Acc. to EN 61547/CE/ROHS |
| BASIC-FLAT AC-G2 2200-830-R-AG | Acc. to IEC 62471/Acc. to EN 62031/Acc. to IEC 62031/Acc. to EN 55015/Acc. to EN 61547/CE/ROHS |
| BASIC-FLAT AC-G2 2200-840-R-AG | Acc. to IEC 62471/Acc. to EN 62031/Acc. to IEC 62031/Acc. to EN 55015/Acc. to EN 61547/CE/ROHS |
| BASIC-FLAT AC-G2 2200-865-R-AG | Acc. to IEC 62471/Acc. to EN 62031/Acc. to IEC 62031/Acc. to EN 55015/Acc. to EN 61547/CE/ROHS |

Logistical data

| Product description | Commodity code |
|--------------------------------|----------------|
| BASIC-FLAT AC-G2 1600-830-C-PC | 888888888888 |
| BASIC-FLAT AC-G2 1600-840-C-PC | 888888888888 |
| BASIC-FLAT AC-G2 1600-865-C-PC | 888888888888 |
| BASIC-FLAT AC-G2 1600-830-C-AG | 888888888888 |
| BASIC-FLAT AC-G2 1600-840-C-AG | 888888888888 |
| BASIC-FLAT AC-G2 1600-865-C-AG | 888888888888 |
| BASIC-FLAT AC-G2 1300-830-R-PC | 888888888888 |
| BASIC-FLAT AC-G2 1300-840-R-PC | 888888888888 |
| BASIC-FLAT AC-G2 1300-865-R-PC | 888888888888 |
| BASIC-FLAT AC-G2 1300-830-R-AG | 888888888888 |
| BASIC-FLAT AC-G2 1300-840-R-AG | 888888888888 |
| BASIC-FLAT AC-G2 1300-865-R-AG | 888888888888 |
| BASIC-FLAT AC-G2 2200-830-R-PC | 888888888888 |

Product family datasheet

| Product description | Commodity code |
|--------------------------------|----------------|
| BASIC-FLAT AC-G2 2200-840-R-PC | 888888888888 |
| BASIC-FLAT AC-G2 2200-865-R-PC | 888888888888 |
| BASIC-FLAT AC-G2 2200-830-R-AG | 888888888888 |
| BASIC-FLAT AC-G2 2200-840-R-AG | 888888888888 |
| BASIC-FLAT AC-G2 2200-865-R-AG | 888888888888 |

Application advice

For more detailed application information and graphics please see product datasheet.

Sales and Technical Support

Sales and Technical Support www.osram.com

Logistical Data

| Product code | Product description | Packaging unit (Pieces/Unit) | Dimensions (length x width x height) | Volume | Gross weight |
|---------------|--------------------------------|------------------------------|--------------------------------------|-----------------------|--------------|
| 4052899564602 | BASIC-FLAT AC-G2 1600-830-C-PC | Shipping carton box 36 | 199 mm x 194 mm x 110 mm | 4.25 dm ³ | 891.00 g |
| 4052899564633 | BASIC-FLAT AC-G2 1600-840-C-PC | Shipping carton box 36 | 199 mm x 194 mm x 110 mm | 4.25 dm ³ | 891.00 g |
| 4052899564664 | BASIC-FLAT AC-G2 1600-865-C-PC | Shipping carton box 36 | 199 mm x 194 mm x 110 mm | 4.25 dm ³ | 891.00 g |
| 4052899564695 | BASIC-FLAT AC-G2 1600-830-C-AG | Shipping carton box 36 | 199 mm x 194 mm x 110 mm | 4.25 dm ³ | 891.00 g |
| 4052899564725 | BASIC-FLAT AC-G2 1600-840-C-AG | Shipping carton box 36 | 199 mm x 194 mm x 110 mm | 4.25 dm ³ | 891.00 g |
| 4052899564756 | BASIC-FLAT AC-G2 1600-865-C-AG | Shipping carton box 36 | 199 mm x 194 mm x 110 mm | 4.25 dm ³ | 891.00 g |
| 4052899564787 | BASIC-FLAT AC-G2 1300-830-R-PC | Shipping carton box 36 | 446 mm x 209 mm x 210 mm | 19.57 dm ³ | 2280.00 g |
| 4052899564817 | BASIC-FLAT AC-G2 1300-840-R-PC | Shipping carton box 36 | 446 mm x 209 mm x 210 mm | 19.57 dm ³ | 2280.00 g |
| 4052899564848 | BASIC-FLAT AC-G2 1300-865-R-PC | Shipping carton box 36 | 446 mm x 209 mm x 210 mm | 19.57 dm ³ | 2280.00 g |
| 4052899564879 | BASIC-FLAT AC-G2 1300-830-R-AG | Shipping carton box 36 | 446 mm x 209 mm x 210 mm | 19.57 dm ³ | 2280.00 g |
| 4052899564909 | BASIC-FLAT AC-G2 1300-840-R-AG | Shipping carton box 36 | 446 mm x 209 mm x 210 mm | 19.57 dm ³ | 2280.00 g |
| 4052899564930 | BASIC-FLAT AC-G2 1300-865-R-AG | Shipping carton box 36 | 446 mm x 209 mm x 210 mm | 19.57 dm ³ | 2280.00 g |
| 4052899564961 | BASIC-FLAT AC-G2 2200-830-R-PC | Shipping carton box 36 | 446 mm x 279 mm x 280 mm | 34.84 dm ³ | 3286.00 g |

Product family datasheet

| Product code | Product description | Packaging unit (Pieces/Unit) | Dimensions (length x width x height) | Volume | Gross weight |
|---------------|--------------------------------|------------------------------|--------------------------------------|-----------------------|--------------|
| 4052899564992 | BASIC-FLAT AC-G2 2200-840-R-PC | Shipping carton box 36 | 446 mm x 279 mm x 280 mm | 34.84 dm ³ | 3286.00 g |
| 4052899565029 | BASIC-FLAT AC-G2 2200-865-R-PC | Shipping carton box 36 | 446 mm x 279 mm x 280 mm | 34.84 dm ³ | 3286.00 g |
| 4052899565050 | BASIC-FLAT AC-G2 2200-830-R-AG | Shipping carton box 36 | 446 mm x 279 mm x 280 mm | 34.84 dm ³ | 3286.00 g |
| 4052899565081 | BASIC-FLAT AC-G2 2200-840-R-AG | Shipping carton box 36 | 446 mm x 279 mm x 280 mm | 34.84 dm ³ | 3286.00 g |
| 4052899565111 | BASIC-FLAT AC-G2 2200-865-R-AG | Shipping carton box 36 | 446 mm x 279 mm x 280 mm | 34.84 dm ³ | 3286.00 g |

The mentioned product code describes the smallest quantity unit which can be ordered. One shipping unit can contain one or more single products. When placing an order, for the quantity please enter single or multiples of a shipping unit.

Disclaimer

Subject to change without notice. Errors and omission excepted. Always make sure to use the most recent release.