

ARCHISHAPE® 2.0 Linear Power Datasheet



ARCHISHAPE® 2.0 Linear Power is a compact, highly reliable, and energy efficient exterior LED liner with built-in driver, unique water-proof structure and excellent lighting effect. The ARCHISHAPE® 2.0 Linear product series offers a variety of white CCT options, beam angles and power ranges with static on/off or dynamic control options via standard DMX-512. It is ideal for wall washing application to create dynamic lighting experiences while maintaining superior color consistency.. It is ideal for wall washing application maintaining superior color consistency.

Benefits

- Compact size with high lumen output
- Easy fit in different architectural structures
- High lumen package for long distance washing

Dedicated optic design

- Even washing effect
- Optimized color mixing

DMX control

- Dynamic lighting control

Easy installation and maintenance

- Auto-addressing
- Quick installation and reliable connection by self-locking water-proof connectors

Applications

- Building façades
- General area flood lights
- Landscapes
- Bridges

Website: hkd.com.vn

HKD Lighting – The Importer and Distribution of OSRAM lighting equipment. Hotline/Zalo: 090 3030 555

ARCHISHAPE® 2.0 Linear Power

Technical Data

Optical Specifications

		300mm	500mm	1000mm
		20W	34W	70W
Luminous Flux	3000K	1230 lm	2450 lm	4990 lm
	4000K	1300 lm	2580 lm	5250 lm
	RGB	520 lm	1190 lm	2520 lm
	RGBW (W: 4000K)	540 lm	1250 lm	2910 lm
Efficacy	White	75 lm/W (4000K, 1000mm)		
	RGB	35 lm/W (1000mm)		
	RGBW (W: 4000K)	45 lm/W (1000mm)		
CCT		3000K, 4000K, RGB, RGBW		
CRI		80 (White LED)		
SDCM		5 (White LED)		
Beam Angle	White	11°, 36°, 15° × 30°		
	RGB	36°, 15° × 55°		
	RGBW	36°, 15° × 55°		

Electrical and Mechanical Specifications

Input Voltage	220-240V AC 50/60Hz		
Power Consumption	20W	34W	70W
Power Factor	>0.9		
Total Harmonic Distortion	<20%		
Surge Protection	Line-to-line 4KV, line-to-ground 6KV		
Dimensions (L × W × H) (Exclude Mounting Bracket)	300mm × 75mm × 79mm	500mm × 75mm × 79mm	1000mm × 75mm × 79mm
Weight	1.8kg	3kg	5kg
Cover Lens	Tempered glass cover		
Housing	Aluminum housing		

System Specifications

Power	AC line		
Control	ON/OFF, DMX		
Max. Interconnection	30 units	30 units	16 units
Adjustment Options	±90° tilt		
Operating Temperature	-20°C to +50°C		
Storage Temperature	-40°C to +80°C		
Environment	Outdoor (IP66)		
Lumen Maintenance	L70@25°C - 50,000hrs		
Safety Approval	Electrical Protection Class I, CE, CB, RoHS		

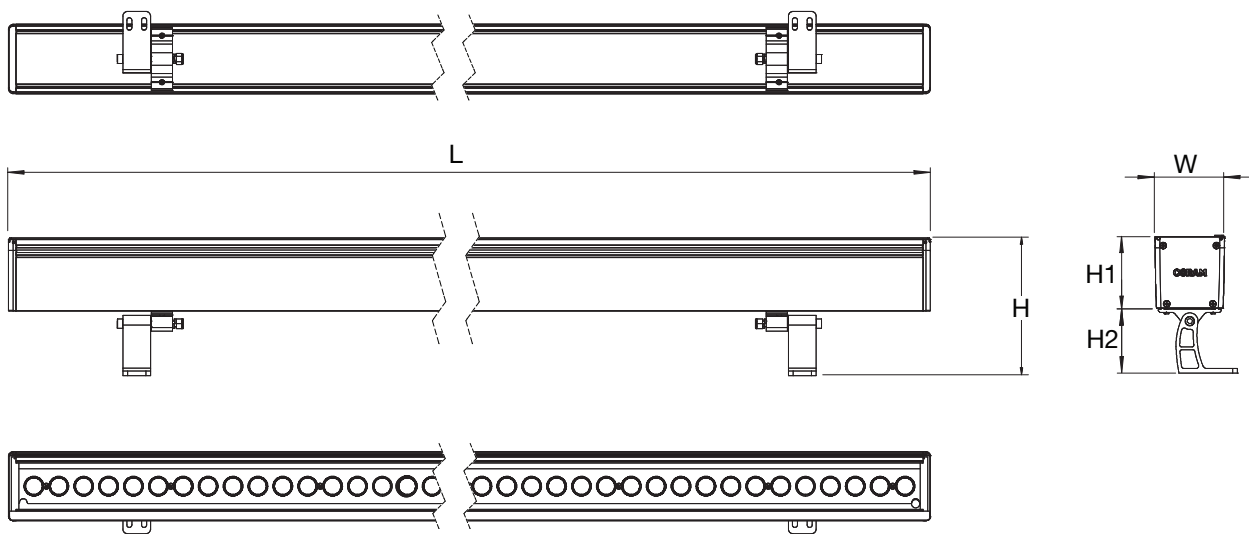
Due to the special conditions of manufacturing process of LED, the typical data of technical parameters can only reflect statistical figures and do not necessarily correspond to the actual parameters of each single product which could differ from typical data.

Exceeding maximum ratings for operation voltage will cause hazardous overload and will likely destroy the LED module.

Exceeding maximum ratings for operation and storage temperature will reduce expected life time or destroy the LED module.

ARCHISHAPE® 2.0 Linear Power

Dimensions



Dimensions

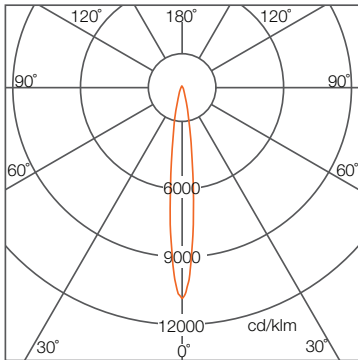
	300mm	500mm	1000mm
L	300mm	500mm	1000mm
W	75mm		
H	148mm		
H1	78mm		
H2	70mm		

ARCHISHAPE® 2.0 Linear Power

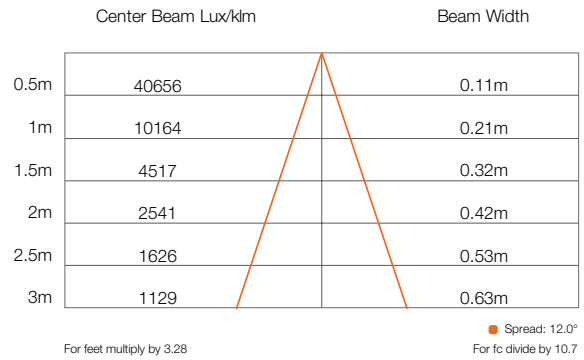
Photometrics

Light Distribution Curve

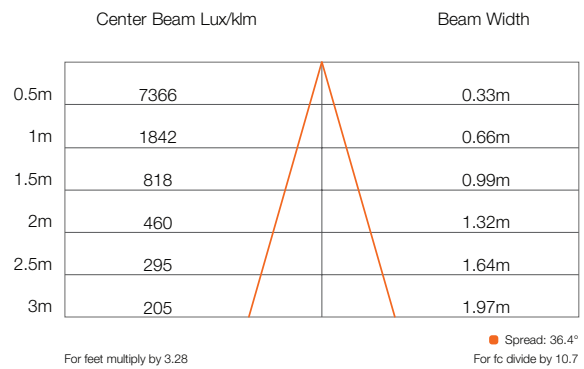
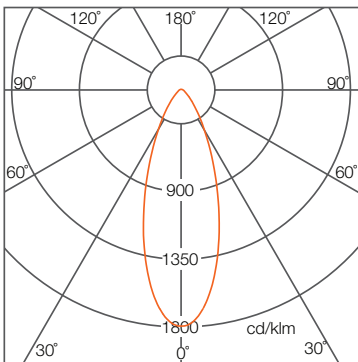
White, 11°



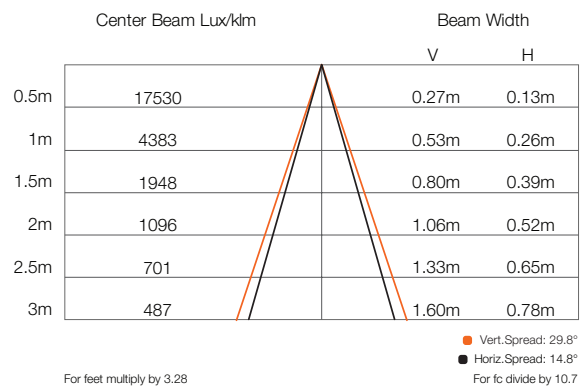
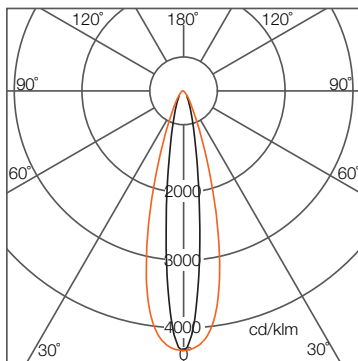
Illuminance at a distance



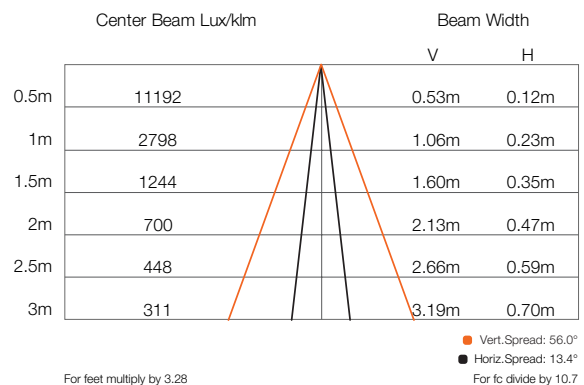
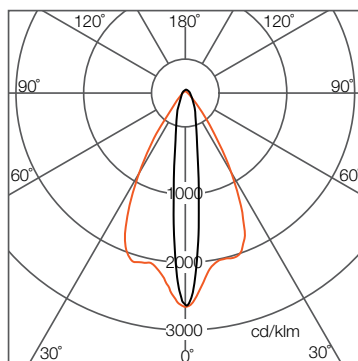
White, RGB, RGBW, 36°



White, 15° x 30°

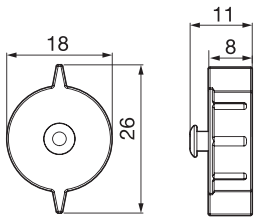


RGB, RGBW, 15° x 55°

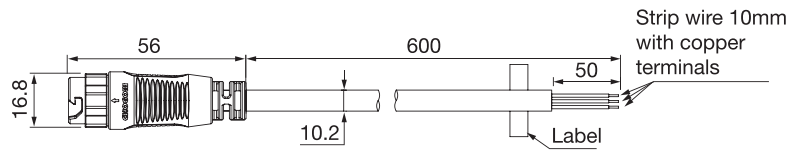


Due to the manufacturing processes of LED, the polar candela distribution and distance luminaries only reflect statistical figures and do not necessarily correspond to the actual parameters of individual product that may differ from the typical values.

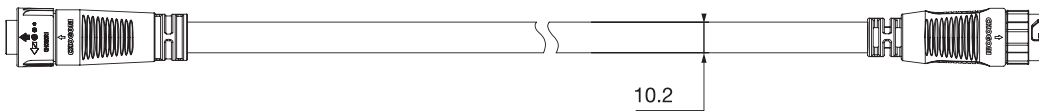
ARCHISHAPE® 2.0 Linear Power Accessory



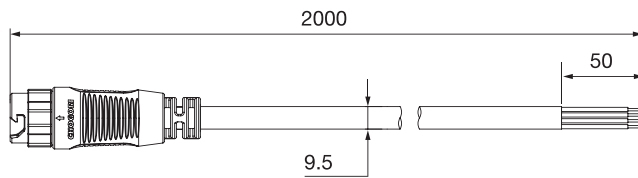
ASL 2&3-pin Connector Socket End Cap CE
AM259050055



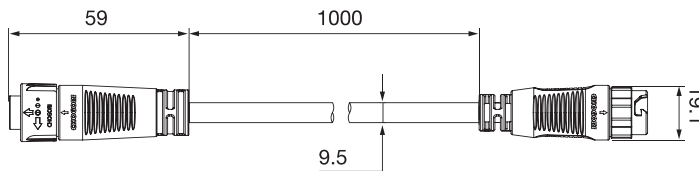
ASL 3-pin AC Power Starter Cable 600 CE
AM251620055



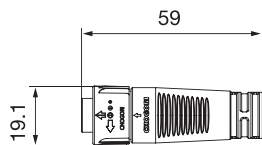
ASL 3-pin AC Interconnection CAB 1000 CE
AM251630055



ASL 4-pin DATA Starter Cable 2m
AM296170055



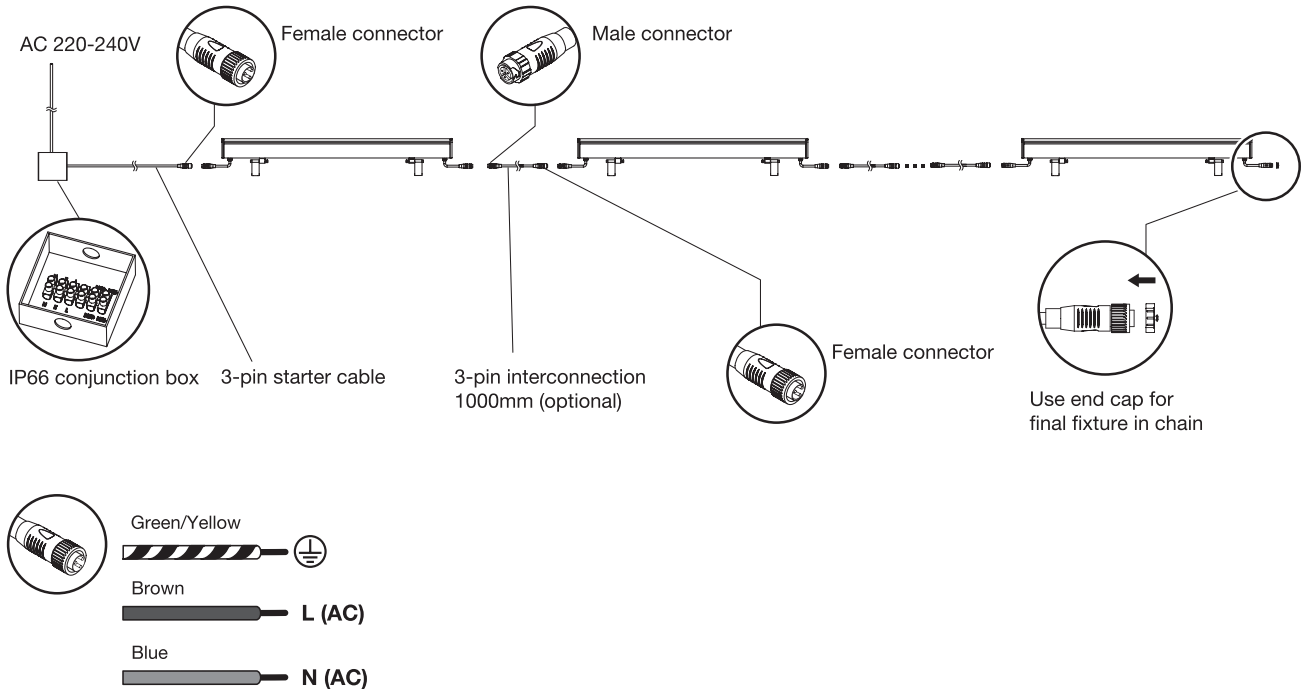
ASL 4-pin Interconnection Cable 1m
AM296150055



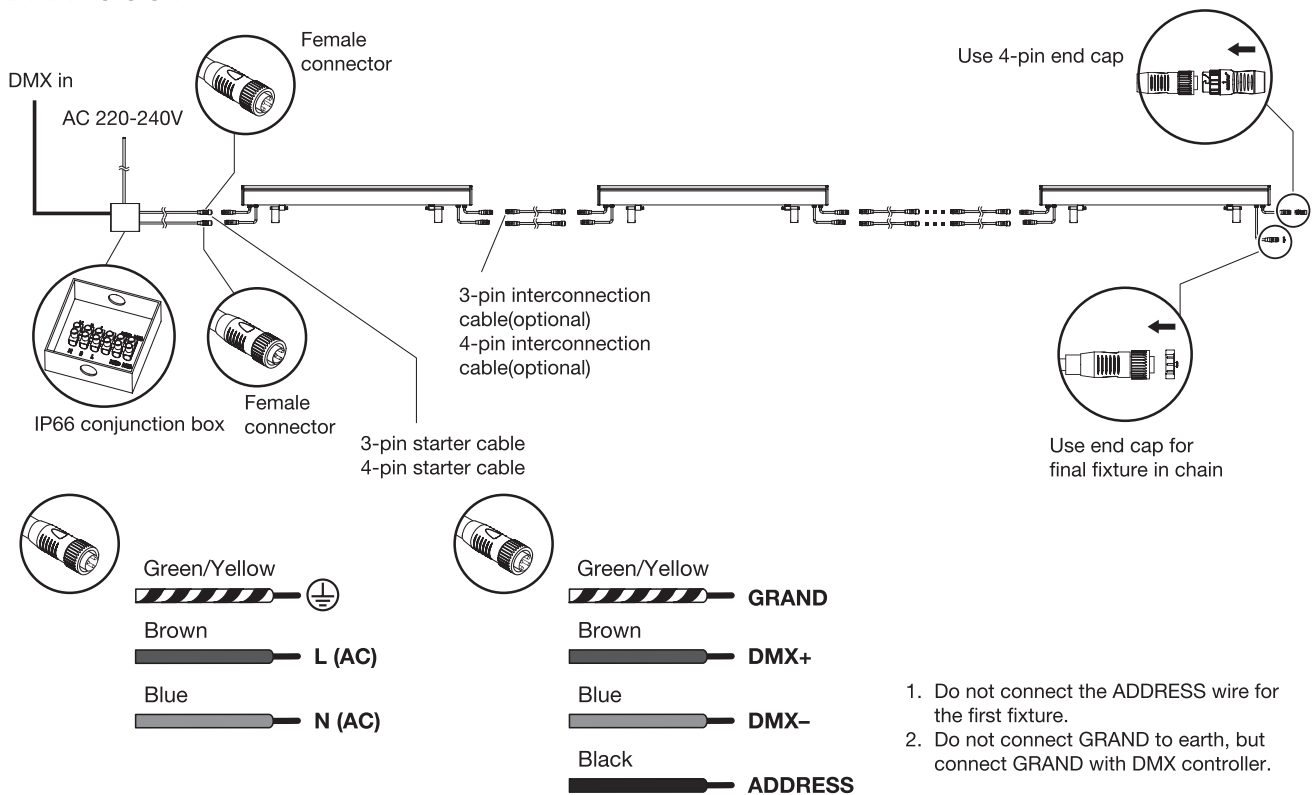
ASL 4-pin Connector Socket End Cap
AM296160055

ARCHISHAPE® 2.0 Linear Power System Diagram

On Off version



DMX version



Due to the manufacturing processes of LED, the polar candela distribution and distance luminaires only reflect statistical figures and do not necessarily correspond to the actual parameters of individual product that may differ from the typical values.

ARCHISHAPE® 2.0 Linear Power

Ordering Codes

Fixture (DMX)

Short Text	Power	Length	CCT	Beam Angle	Material	EAN40
ASL PWR AC 70W 830 36D D1 1000 CE	70W	1000mm	3000K	36°	AM313870055	4062172072717
ASL PWR AC 70W 840 36D D1 1000 CE	70W	1000mm	4000K	36°	AM315170055	4062172073462
ASL PWR AC 34W 830 36D D1 500 CE	34W	500mm	3000K	36°	AM315180055	4062172072731
ASL PWR AC 34W 840 36D D1 500 CE	34W	500mm	4000K	36°	AM315190055	4062172073387
ASL PWR AC 20W 830 36D D1 300 CE	20W	300mm	3000K	36°	AM315200055	4062172072755
ASL PWR AC 20W 840 36D D1 300 CE	20W	300mm	4000K	36°	AM315210055	4062172073325
ASL PWR AC 70W 830 15X30 D1 1000 CE	70W	1000mm	3000K	15° × 30°	AM315220055	4062172072779
ASL PWR AC 70W 840 15X30 D1 1000 CE	70W	1000mm	4000K	15° × 30°	AM315250055	4062172073301
ASL PWR AC 34W 830 15X30 D1 500 CE	34W	500mm	3000K	15° × 30°	AM315260055	4062172072885
ASL PWR AC 34W 840 15X30 D1 500 CE	34W	500mm	4000K	15° × 30°	AM315280055	4062172073288
ASL PWR AC 20W 830 15X30 D1 300 CE	20W	300mm	3000K	15° × 30°	AM315290055	4062172072908
ASL PWR AC 20W 840 15X30 D1 300 CE	20W	300mm	4000K	15° × 30°	AM315300055	4062172073264
ASL PWR AC 70W RGB 36D D1 1000 CE	70W	1000mm	RGB	36°	AM315320055	4062172073424
ASL PWR AC 70W RGBW40 36D D1 1000 CE	70W	1000mm	RGBW40	36°	AM315340055	4062172073400
ASL PWR AC 34W RGB 36D D1 500 CE	34W	500mm	RGB	36°	AM315350055	4062172073363
ASL PWR AC 34W RGBW40 36D D1 500 CE	34W	500mm	RGBW40	36°	AM315370055	4062172073349
ASL PWR AC 18W RGB 36D D1 300 CE	18W	300mm	RGB	36°	AM315390055	4062172072984
ASL PWR AC 17W RGBW40 36D D1 300 CE	17W	300mm	RGBW40	36°	AM315400055	4062172073028
ASL PWR AC 70W RGB 15X55 D1 1000 CE	70W	1000mm	RGB	15° × 55°	AM315420055	4062172073042
ASL PWR AC 70W RGBW40 15X55 D1 1000 CE	70W	1000mm	RGBW40	15° × 55°	AM315430055	4062172073240
ASL PWR AC 34W RGB 15X55 D1 500 CE	34W	500mm	RGB	15° × 55°	AM315450055	4062172073080
ASL PWR AC 34W RGBW40 15X55 D1 500 CE	34W	500mm	RGBW40	15° × 55°	AM315460055	4062172073226
ASL PWR AC 18W RGB 15X55 D1 300 CE	18W	300mm	RGB	15° × 55°	AM315470055	4062172073127
ASL PWR AC 17W RGBW40 15X55 D1 300 CE	17W	300mm	RGBW40	15° × 55°	AM315490055	4062172073141

Fixture (ON/OFF)

Short Text	Power	Length	CCT	Beam Angle	Material	EAN40
ASL PWR AC 20W 830 36D 300 CE	20W	300mm	3000K	36°	AM247120055	4062172073585
ASL PWR AC 20W 840 36D 300 CE	20W	300mm	4000K	36°	AM247130055	4062172073561
ASL PWR AC 20W 830 15x30 300 CE	20W	300mm	3000K	15° × 30°	AM247160055	4062172073622
ASL PWR AC 20W 840 15x30 300 CE	20W	300mm	4000K	15° × 30°	AM247170055	4062172073509
ASL PWR AC 70W 830 36D 1000 CE	70W	1000mm	3000K	36°	AM247180055	4062172073486
ASL PWR AC 70W 840 36D 1000 CE	70W	1000mm	4000K	36°	AM247190055	4062172073448
ASL PWR AC 70W 830 15x30 1000 CE	70W	1000mm	3000K	15° × 30°	AM247200055	4062172073202
ASL PWR AC 70W 840 15x30 1000 CE	70W	1000mm	4000K	15° × 30°	AM247210055	4062172073189

Note: Other power, length, CCT or beam angle options are made to order.

Due to the manufacturing processes of LED, the polar candela distribution and distance luminaries only reflect statistical figures and do not necessarily correspond to the actual parameters of individual product that may differ from the typical values.

ARCHISHAPE® 2.0 Linear Power

Ordering Codes

Accessories

Short Text	Material	EAN40
ASL 3-pin AC Power Starter Cable 2000 CE	AM331510055	4062172084895
ASL 3-pin AC Interconnection CAB 1000 CE	AM251630055	4062172072946
ASL 3-pin AC Interconnection CAB 3000 CE	AM251640055	4062172072847
ASL 2/3-pin Connector Socket End Cap CE	AM259050055	4062172072823
ASL 4-pin Interconnection Cable 1m	AM296150055	4062172057639
ASL 4-pin Connector Socket End Cap	AM296160055	4062172057646
ASL 4-pin DATA Starter Cable 2m	AM296170055	4062172057653